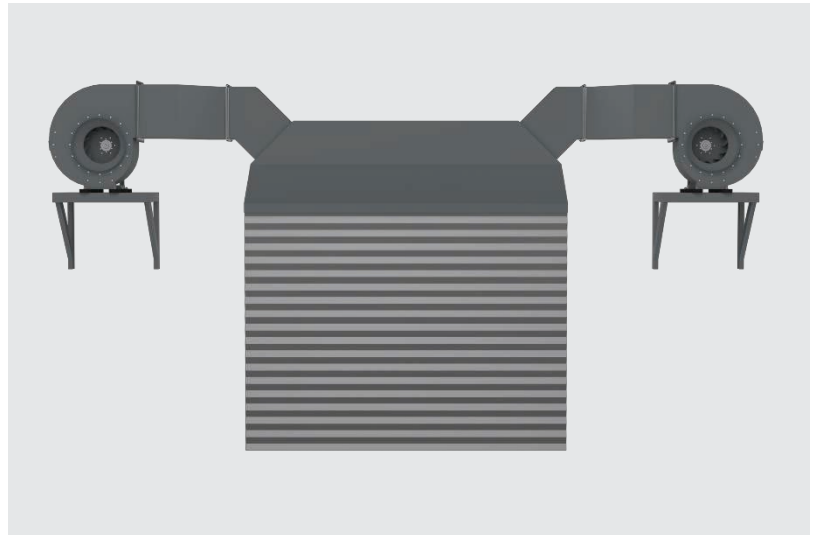


INDUSTRIAL AIR CURTAIN

The new generation of industrial air curtains absorbs the conditioned air in the environment with the help of centrifugal fans and acts as a curtain between the outdoor environment and the indoor environment.

Usage Areas

Can be used the doors of large volumes such as workshop, factory, production area, hangar, warehouse.



- It provides energy saving by preventing the passage of cold or hot air to the indoor environment and the passage of conditioned air to the outdoor environment.
- Particularly in food factories where hygiene requirements are sought, the passage of unwanted foreign substances is prevented.
- Shipment is safer.
- The vibration isolators and flexible connection in the system ensure a robust and quiet working environment.
- The inlet of the centrifugal fans covered for work safety.
- Thanks to PLC control, it works automatically with automatic door.



fanturkey

HVAC Expert

Contact Information:

*Address: Minareliçavuş OSB Mah. 202. Sk. N:19 Nilüfer / BURSA /
TURKEY*

Export & International Operations Manager:

Mr. Aslan TEKİN

Mobile: +90 552 616 40 57 (WhatsApp, Viber, Telegram)

Group Mail: export@fanturkey.com

Ukraine Representative:

Mr. Soshenko Konstantin

Mobile: +380 685 83 50 31 (WhatsApp, Viber, Telegram)

fanturkey.com