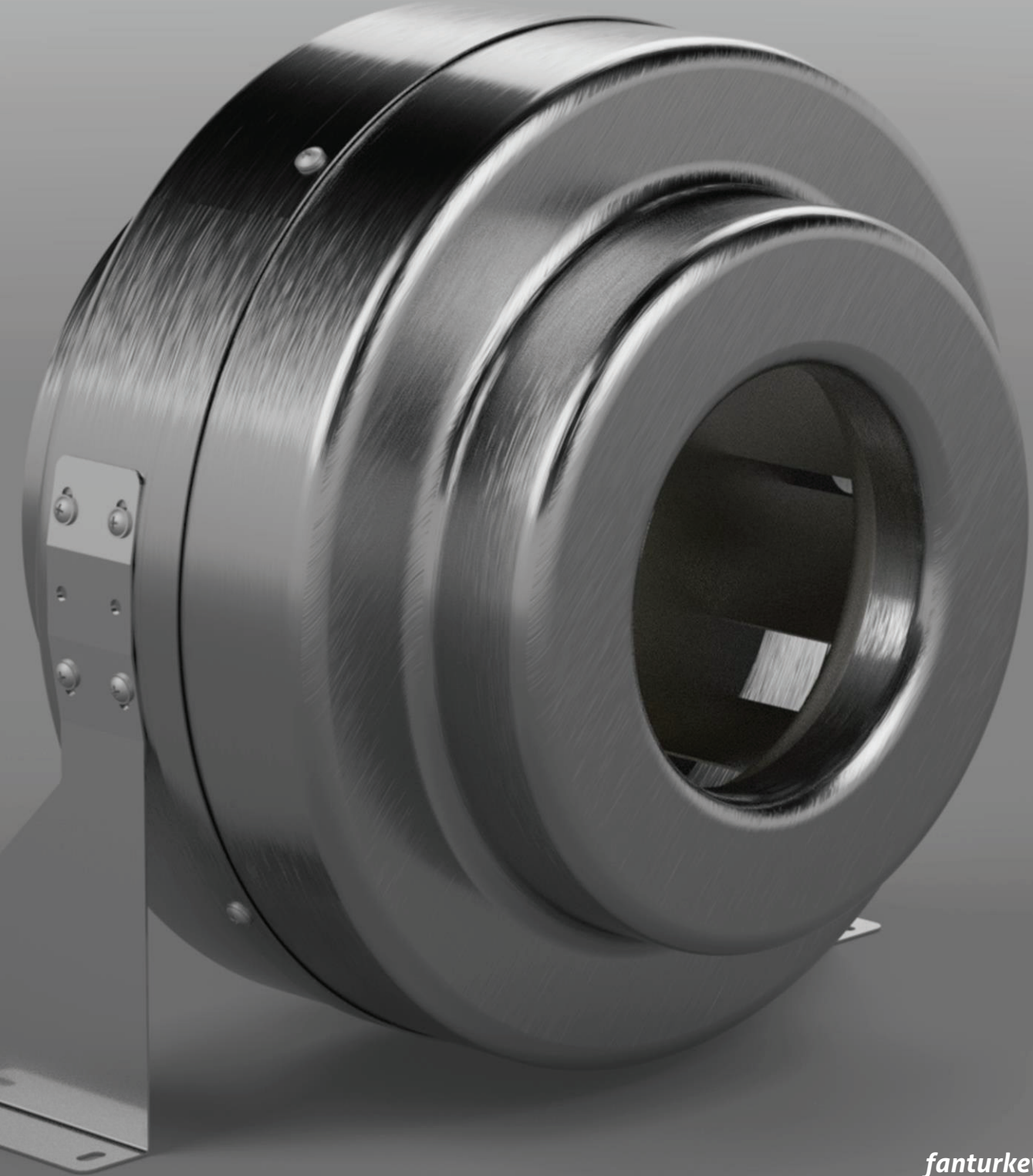


**Y-KTF**  
**Round Duct Type**  
**In-Line Fan**



## Technical Specifications

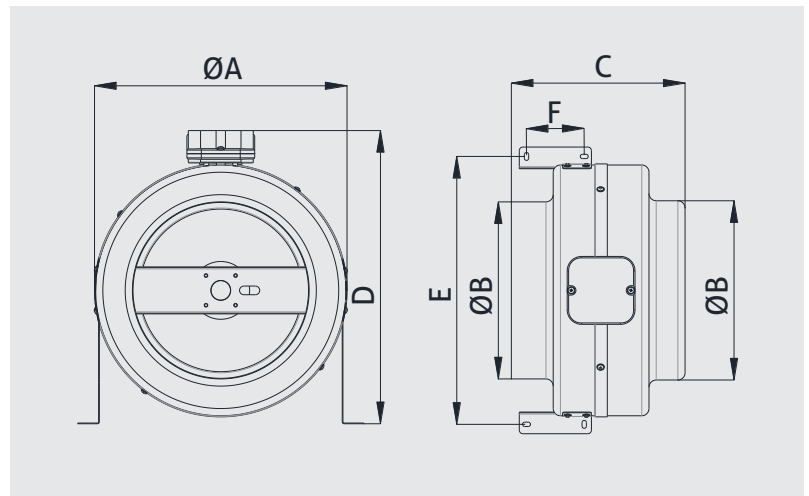
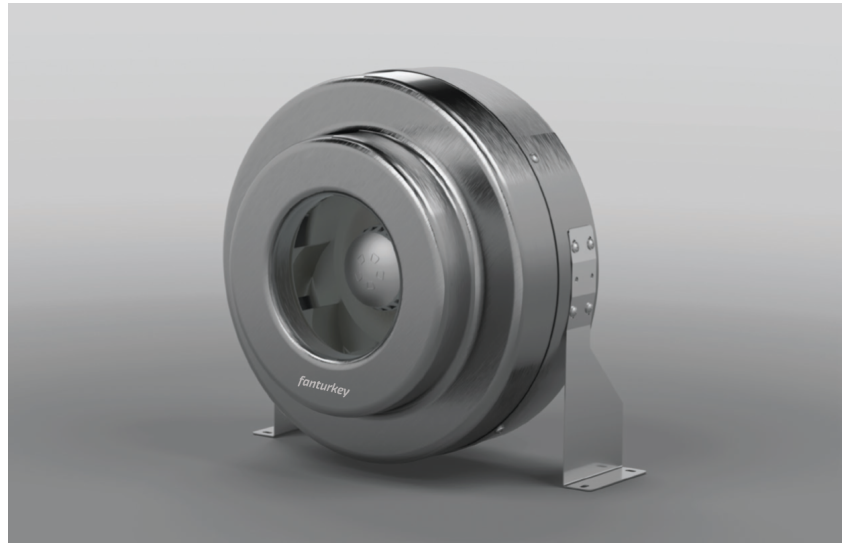
# ROUND DUCT TYPE IN-LINE FAN

Y-KTF series round duct type in-line fans are the ideal fans for ducted ventilation systems which requires high flow rate and high pressure loss. Thanks to their compact construction, they can be installed directly in the air ducts without the need for large bends and transducers in any position required. Y-KTF series in-line fans are the ideal choice for high performance and trouble-free operation.

Body is manufacturing from high quality galvanised sheet. Fans are radial fans with backward curved blades. Motors are single phase and has IP44 and Class F insulation. Speed controller is optional for all models.

### Usage Areas

Can be used in all kinds of ventilation systems for Industry Buildings, Offices, Residential Buldings, Shopping Malls.

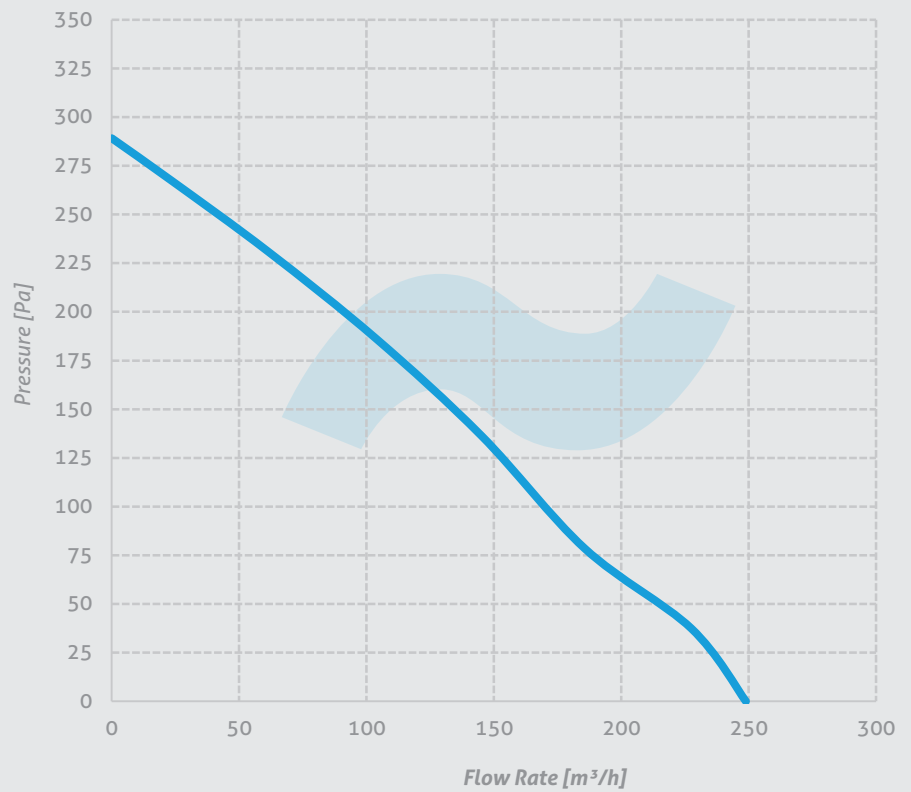


MODEL	A	B	C	D	E	F	VOLTAGE	FREQUENCY	MOTOR POWER	CURRENT	CAPACITOR	MOTOR SPEED	FLOW RATE	SOUND PRESSURE LEVEL	WEIGHT
	mm	mm	mm	mm	mm	mm	V	Hz	W	A	µf	rpm	m <sup>3</sup> /h	dBa	kg
Y-KTF 100	246	95	208	312	261	80	230	50	80	0,3	2	2610	250	50	2,6
Y-KTF 125	246	95	208	312	261	80	230	50	80	0,36	2,5	2325	320	55	2,7
Y-KTF 160	278	155	210	349	296	80	230	50	66	0,3	3	2300	540	48	3,5
Y-KTF 200	321	195	234	381	341	80	230	50	100	0,47	3	2580	800	53	4,25
Y-KTF 250	350	245	241	406	371	80	230	50	150	0,7	4	2600	1020	55	5
Y-KTF 315	396	310	237	449	417	80	230	50	250	1,1	8	2500	1840	50	6,1

## Performance Curves

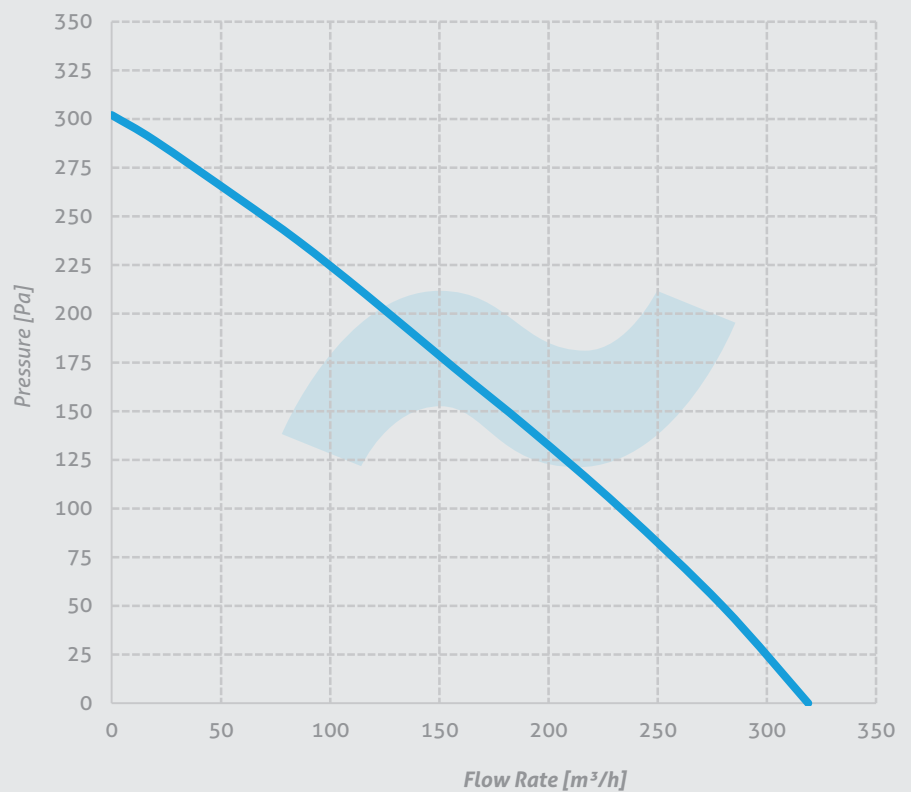
### Y-KTF 100

Voltage 230 V  
Frequency 50 Hz  
Motor Power 80 W  
Current 0,3 A  
Capacitor 2  $\mu$ f  
Motor Speed 2610 rpm  
Flow Rate 250 m<sup>3</sup>/h  
Sound Pressure 50 dBA  
Weight 2,6 kg



### Y-KTF 125

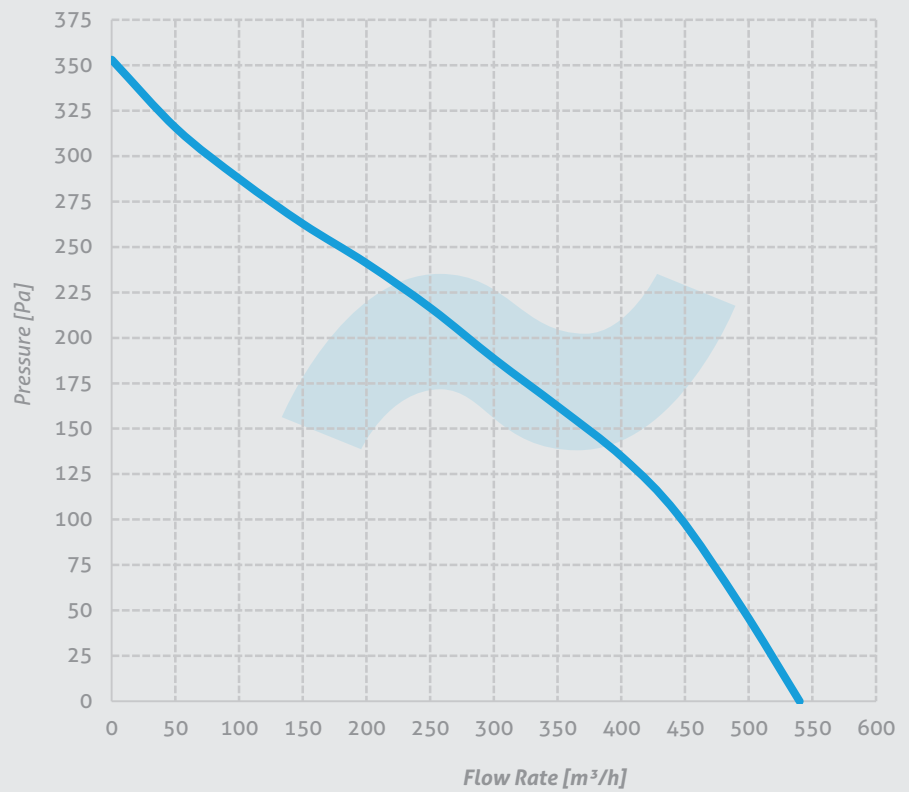
Voltage 230 V  
Frequency 50 Hz  
Motor Power 80 W  
Current 0,36 A  
Capacitor 2,5  $\mu$ f  
Motor Speed 2325 rpm  
Flow Rate 320 m<sup>3</sup>/h  
Sound Pressure 55 dBA  
Weight 2,7 kg



## Performance Curves

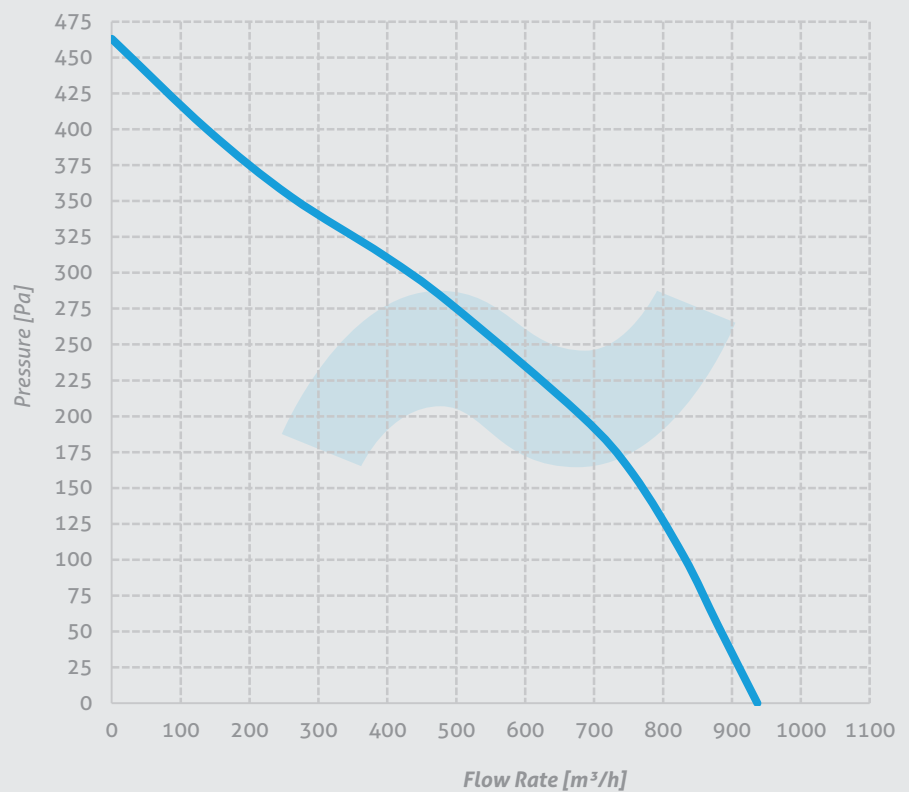
### Y-KTF 160

Voltage 230 V  
Frequency 50 Hz  
Motor Power 66 W  
Current 0,3 A  
Capacitor 3  $\mu$ f  
Motor Speed 2300 rpm  
Flow Rate 540 m<sup>3</sup>/h  
Sound Pressure Level 48 dBA  
Weight 3,5 kg



### Y-KTF 200

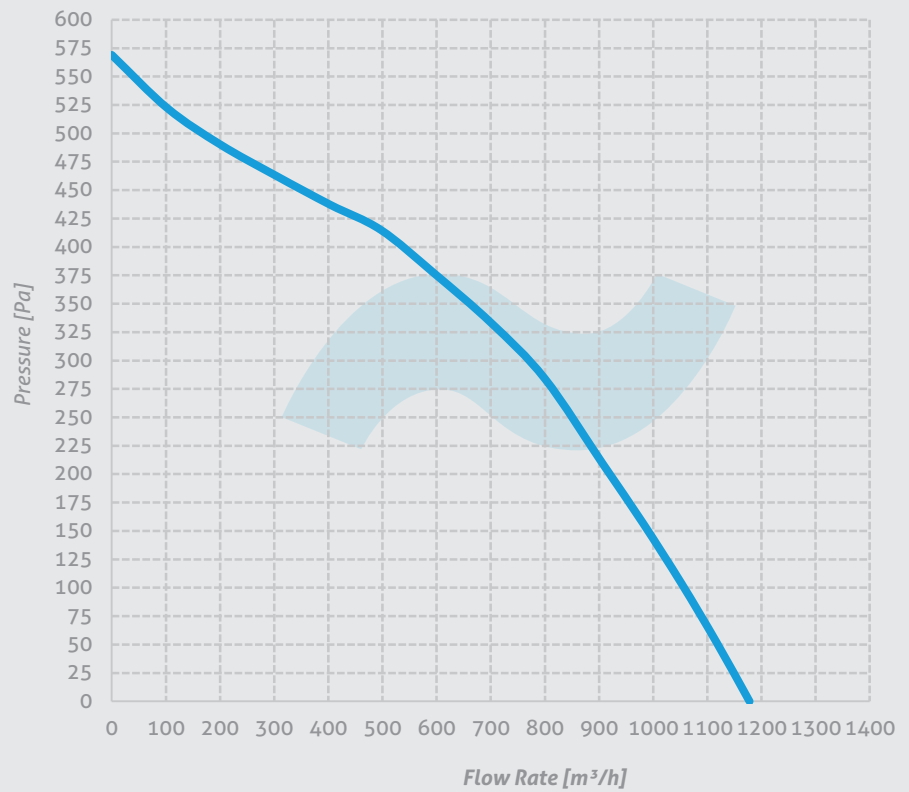
Voltage 230 V  
Frequency 50 Hz  
Motor Power 100 W  
Current 0,47 A  
Capacitor 3  $\mu$ f  
Motor Speed 2580 rpm  
Flow Rate 800 m<sup>3</sup>/h  
Sound Pressure Level 53 dBA  
Weight 4,25 kg



## Performance Curves

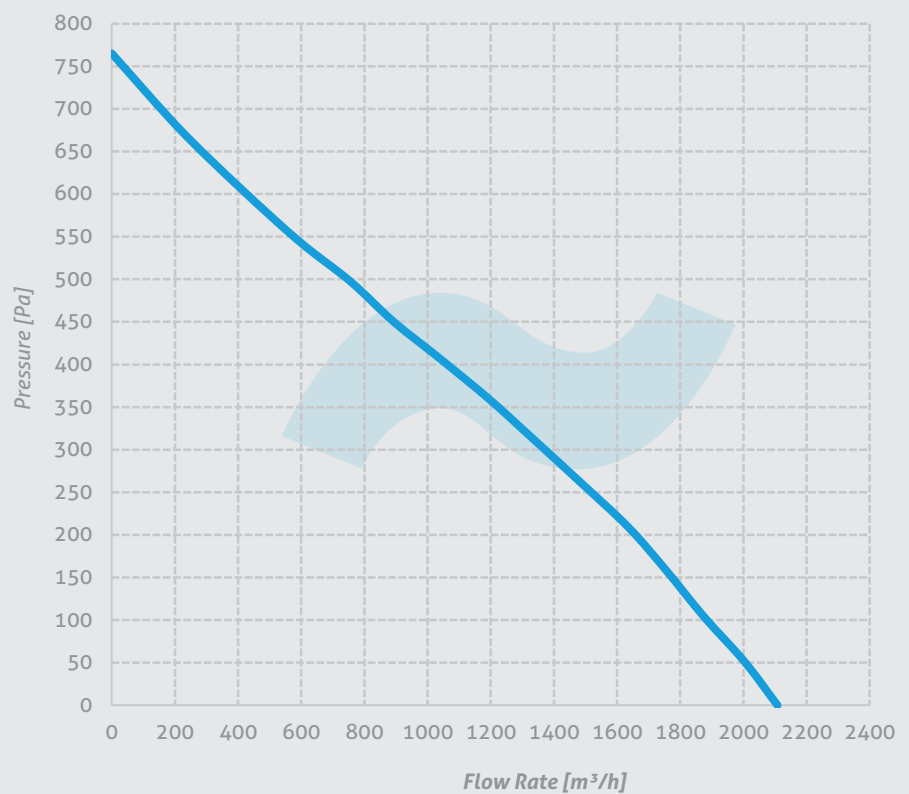
### Y-KTF 250

Voltage 230 V  
Frequency 50 Hz  
Motor Power 150 W  
Current 0,7 A  
Capacitor 4  $\mu$ f  
Motor Speed 2600 rpm  
Flow Rate 1020 m<sup>3</sup>/h  
Sound Pressure Level 55 dBA  
Weight 5 kg



### Y-KTF 315

Voltage 230 V  
Frequency 50 Hz  
Motor Power 250 W  
Current 1,1 A  
Capacitor 8  $\mu$ f  
Motor Speed 2500 rpm  
Flow Rate 1840 m<sup>3</sup>/h  
Sound Pressure Level 50 dBA  
Weight 6,1 kg



# *fanturkey*

## *HVAC Expert*

### *Contact Information:*

*Address: Minareliçavuş OSB Mah. 202. Sk. N:19 Nilüfer / BURSA /  
TURKEY*

### *Export & International Operations Manager:*

*Mr. Aslan TEKİN*

*Mobile: +90 552 616 40 57 (WhatsApp, Viber, Telegram)*

*Group Mail: [export@fanturkey.com](mailto:export@fanturkey.com)*

### *Ukraine Representative:*

*Mr. Soshenko Konstantin*

*Mobile: +380 685 83 50 31 (WhatsApp, Viber, Telegram)*

*[fanturkey.com](http://fanturkey.com)*